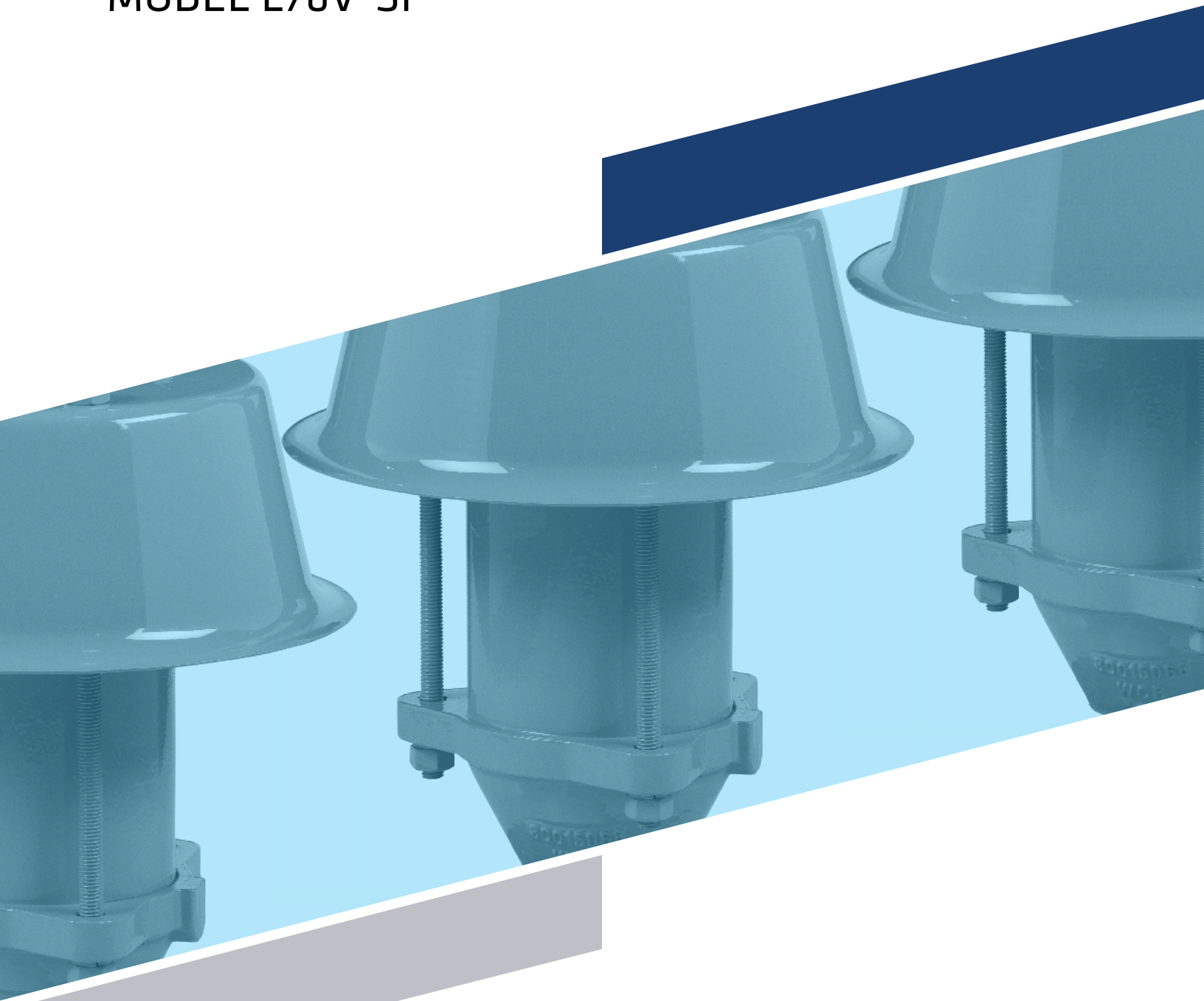


# LAMOT®

**VALVE & ARRESTOR**

## **VENT STACK FLAME ARRESTOR**

MODEL L76V-SF



# L76V-SF

The LaMOT Valve & Arrestor Model L76V-SF model is an End-Of-Line Vent Stack Deflagration Flame Arrestor designed to inhibit flame propagation in gas piping systems and to protect low pressure tanks containing flammable liquids. Arrestors protect low flash point liquids from external sources of ignition. This provides increased fire protection and safety.

## Technical Details

- Connection sizes: 2", 3", 4" & 6" NPT
- Housing standard material: Carbon Steel, Stainless Steel, Aluminum
- Flame element standard material: 316L Stainless Steel, Aluminum
- Operational Temperature Range -4 to 140 °F (-20 to 60 °C)
- Burn Time  $t_{BT}$  6 minutes Aluminum element, 7 minutes 316SS element
- NEC gas group D, IEC gas group IIA

## Features

- Flame arrestor element geometry maximizes flame quenching capability while minimizing pressure drop
- Proven spiral-wound, crimped-ribbon flame element provides reliable flame protection
- Modular design allows easy and cost-effective flame bank maintenance

## Options

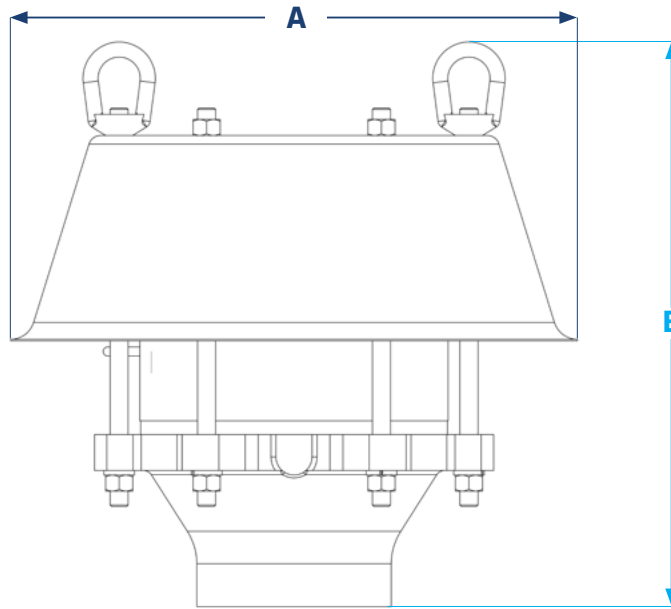
- Exterior painting or coating available
- Instrument ports available
- Factory installed thermocouples for flame sensing available



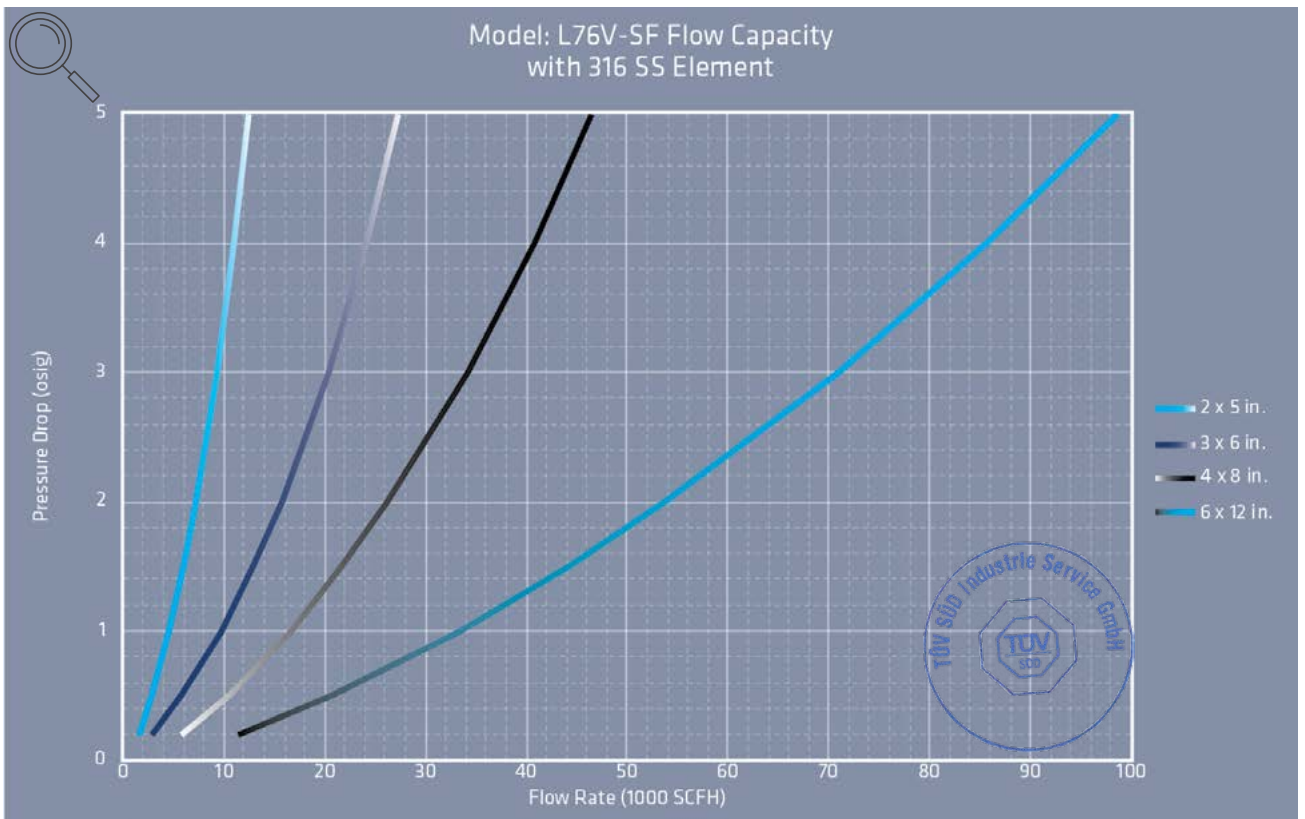
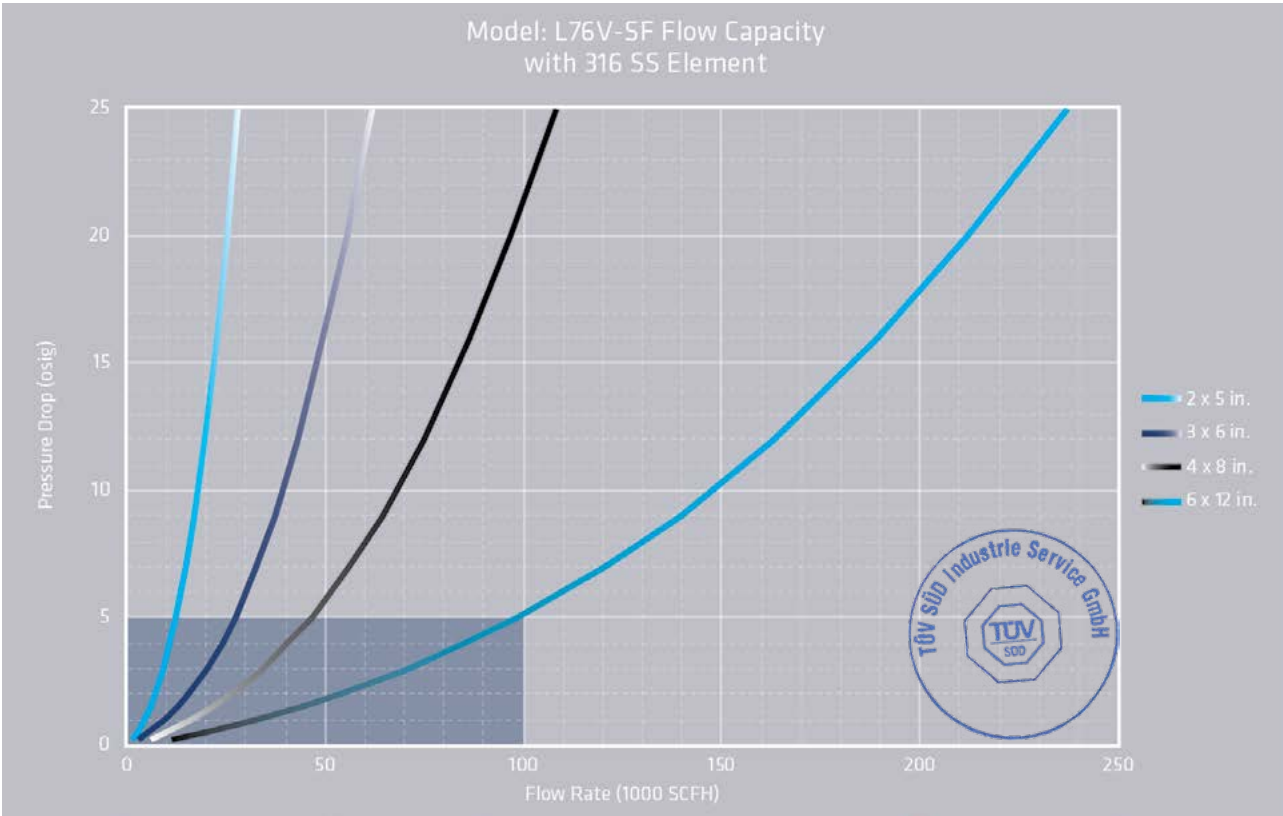
\*Aluminum element burn time has not yet been rated

# SPECIFICATIONS

Size	A Width Inches (mm)	B Height Inches (mm)	Approx Ship. Wt. (Aluminum) Lbs (kg)	Approx Ship. Wt. (Carbon or SS Body) Lbs (kg)
2" x 5"	13(330)	15.3(389)	21(10)	33(15)
3" x 6"	17(432)	17(432)	33(15)	59(27)
4" x 8"	19.5(495)	20(508)	46(21)	80(36)
6" x 12"	23.5(597)	23.4(594)	103(47)	162(74)

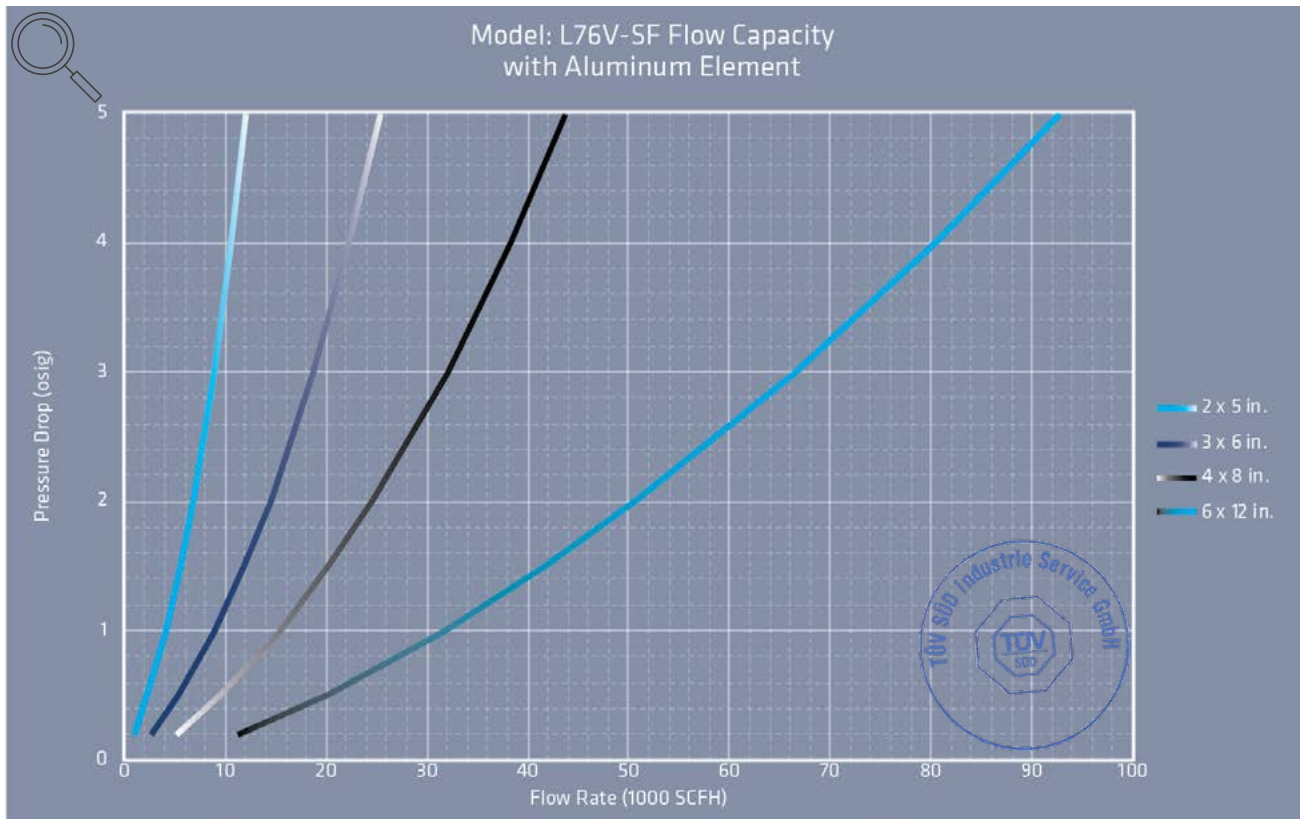
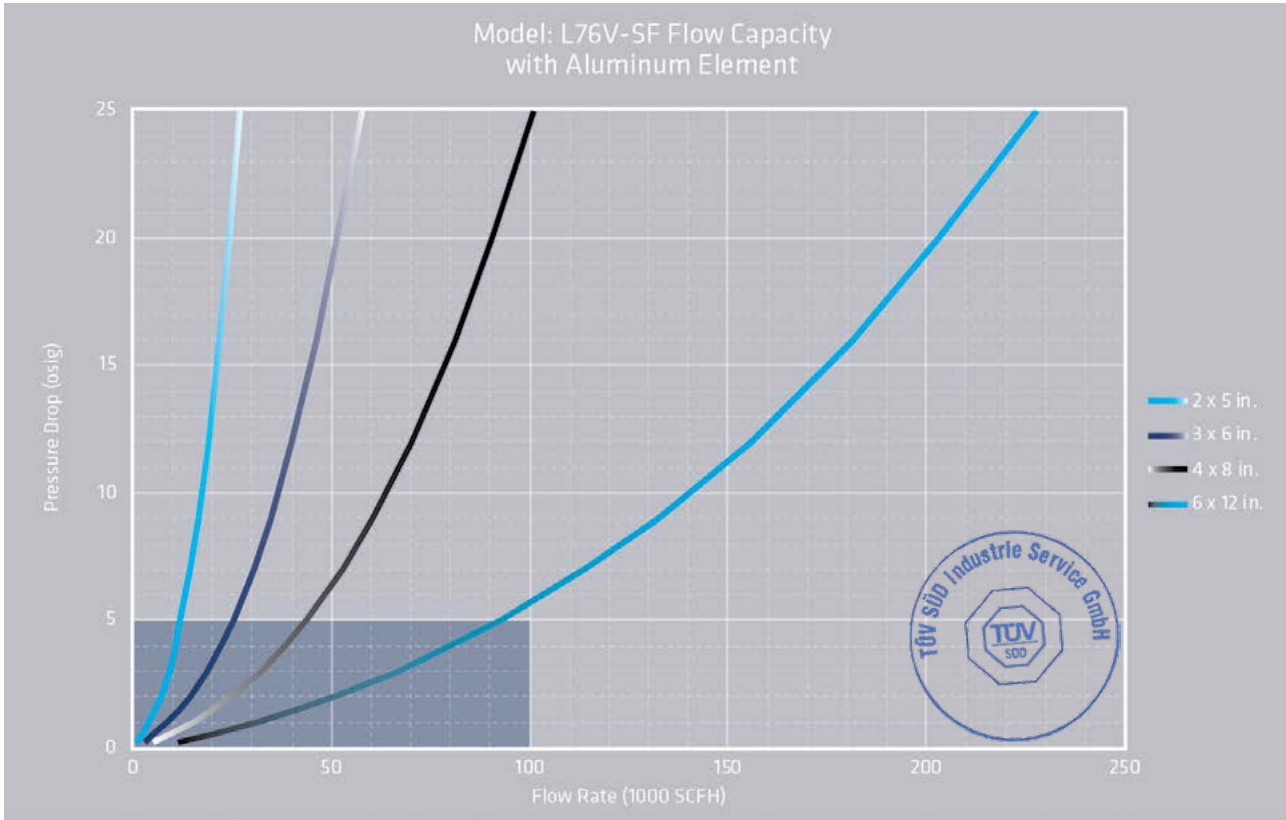


# FLOW CAPACITY



- The test equipment, procedures, and reporting methods meet the requirements of standards API 2000/ISO 28300 and ISO 16852. The equipment, methods, and results have been reviewed and certified by TÜV SÜD.
- Flow data are for tank mounting or end of line and includes flame arrester entrance loss, exit loss and internal losses.
- Flow values based on air at 60°F venting to atmospheric pressure of 14.6959 psia.

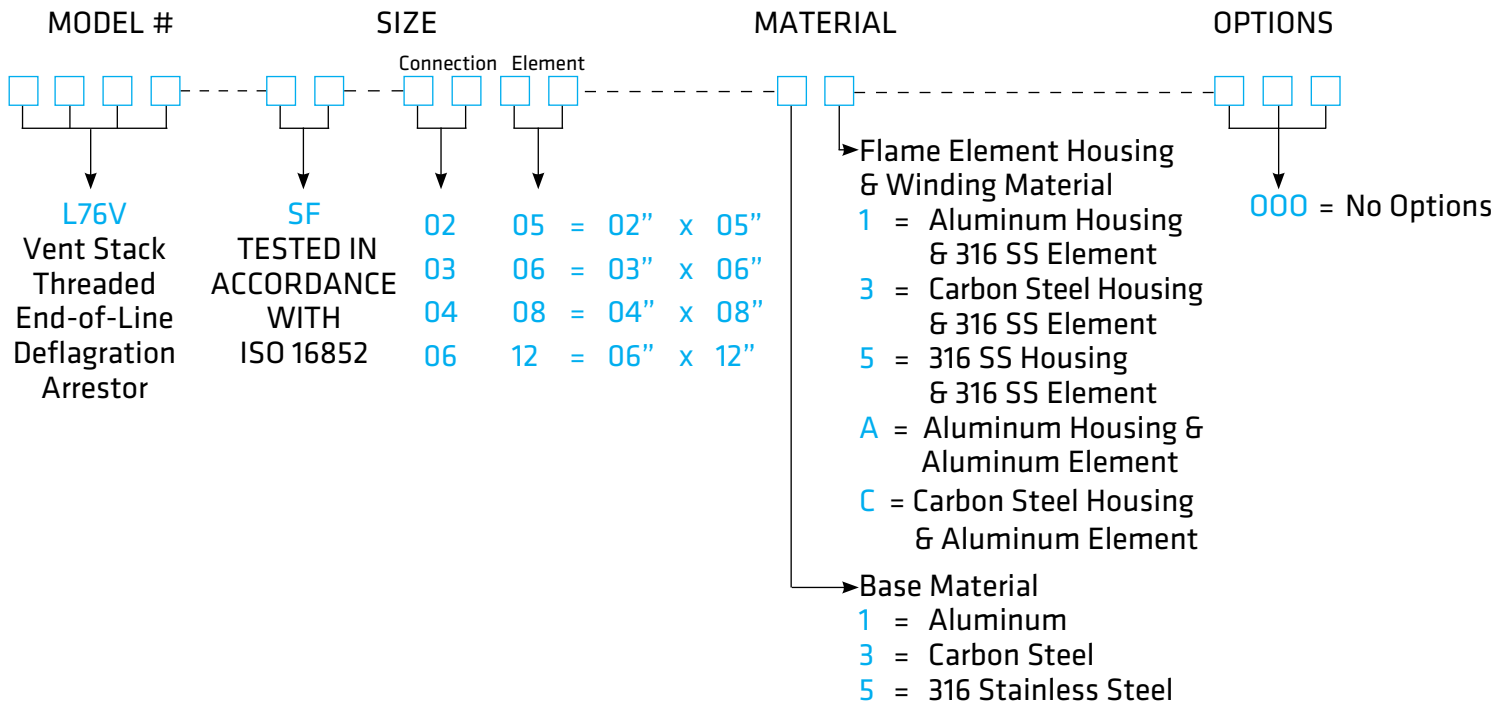
# FLOW CAPACITY



- The test equipment, procedures, and reporting methods meet the requirements of standards API 2000/ISO 28300 and ISO 16852. The equipment, methods, and results have been reviewed and certified by TÜV SÜD.
- Flow data are for tank mounting or end of line and includes flame arrester entrance loss, exit loss and internal losses.
- Flow values based on air at 60°F venting to atmospheric pressure of 14.6959 psia.

# How To Order

For easy ordering, select proper model numbers



## Notes

- Include model number and setting when ordering
- For special options, consult factory

## Example

L 7 6 V - S F - 0 2 0 5 - 3 3 - 0 0 0

Indicates a LaMOT Model L76V, Upstream Tested, 2" Female NPT Connection, with 5" Housing Size, Carbon Steel Bases, Carbon Steel Housing with 316 SS Flame Element, No Options

**LAMOT<sup>®</sup>**

**VALVE & ARRESTOR**



[LAMOTVALVEARRESTOR.COM](http://LAMOTVALVEARRESTOR.COM)