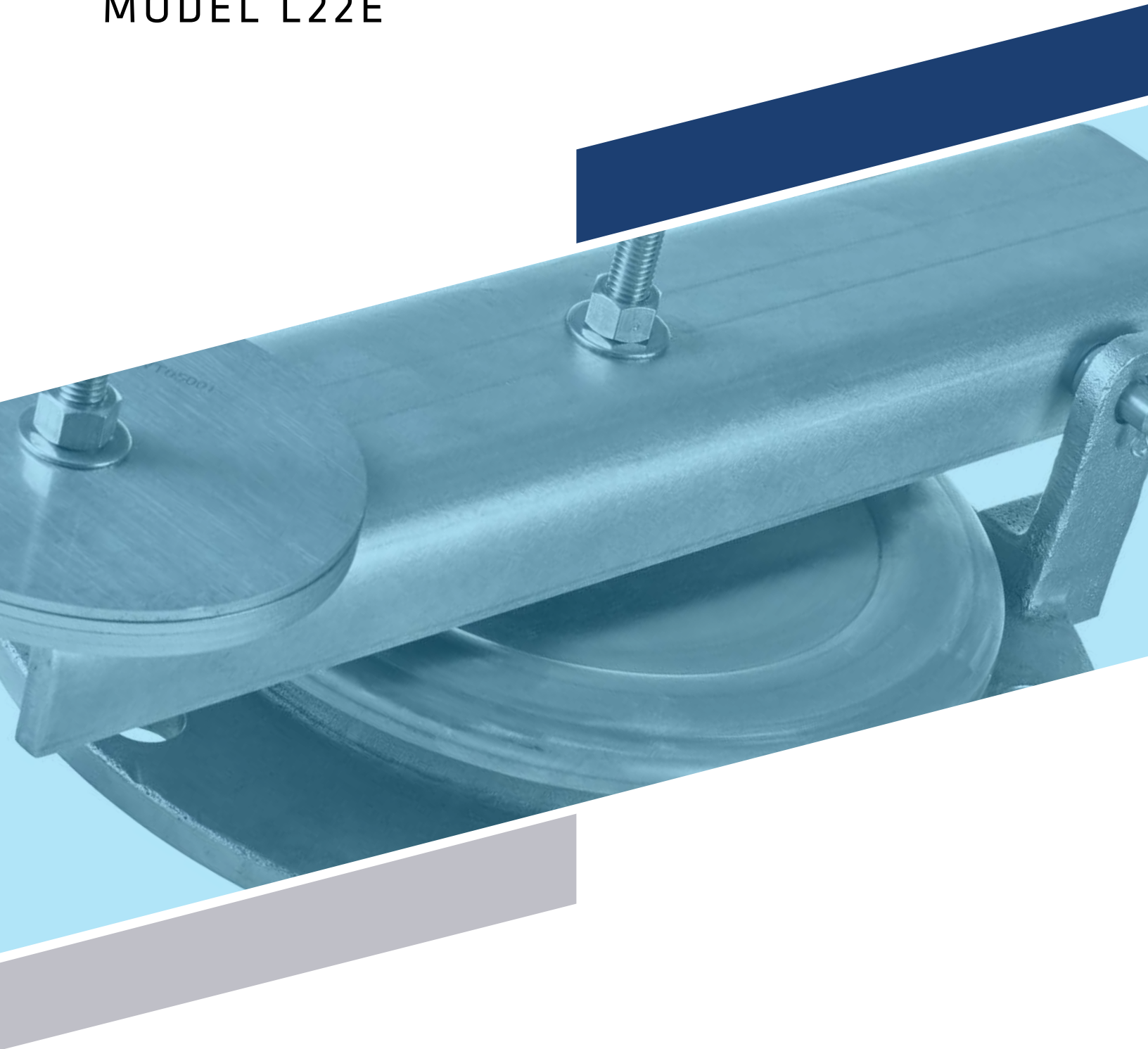


**LAMOT<sup>®</sup>**

**VALVE & ARRESTOR**

# **EMERGENCY RELIEF VENT**

MODEL L22E



# MODEL L22E

The LaMot Valve & Arrestor Model L22E Emergency Relief Vent is designed to provide superior sealing and industry leading high flow rates. When properly sized, the high flow capacity will help protect the tank from damage in an emergency event.

## Technical Details

- Sizes: 8", 12", 16", 20", 24"
- Bolting: API and ASME 150#
- Available Pressure Settings: 4 to 32 osig (in 0.5 osig Increments)
- +/- 3% Set Pressure Accuracy
- Leak Rate of no more than 1 SCFH of air at 90% of set pressure
- Base & Arm: Carbon Steel or Stainless Steel
- Diaphragm Materials: Buna-N (black), FKM (blue) or FEP (clear)
- Pallet: Stainless Steel
  - Aluminum for 8" size pressure setting between 4.0 through 5.5 osig only
- Reinforcement Plate\*: Stainless Steel\*
  - Reinforcement plate is required for pressure ranges: 8" 20.5 to 32 osig and 12" 8.5 to 32 osig
  - Require for 16", 20" and 24" sizes
- Weld Overlay Seat: Stainless Steel

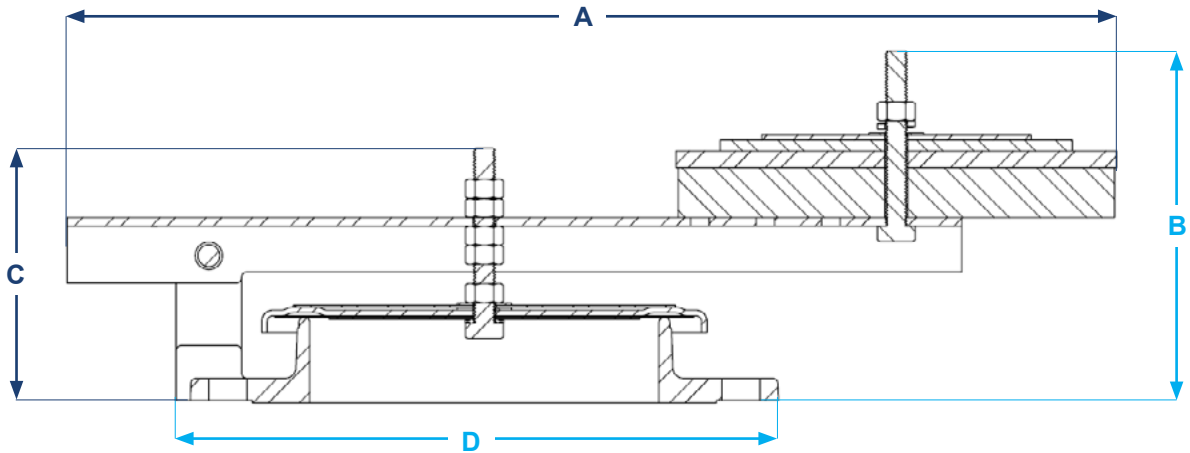
## Features

- Modern manufacturing processes result in superior seals which reduce leakage and fugitive emissions
- Engineered for industry leading flow to better protect against excessive pressure build up
- Direct replacement for any standard API 12 or ASME Emergency Relief Vent
- Easy maintenance reduces downtime and operational costs



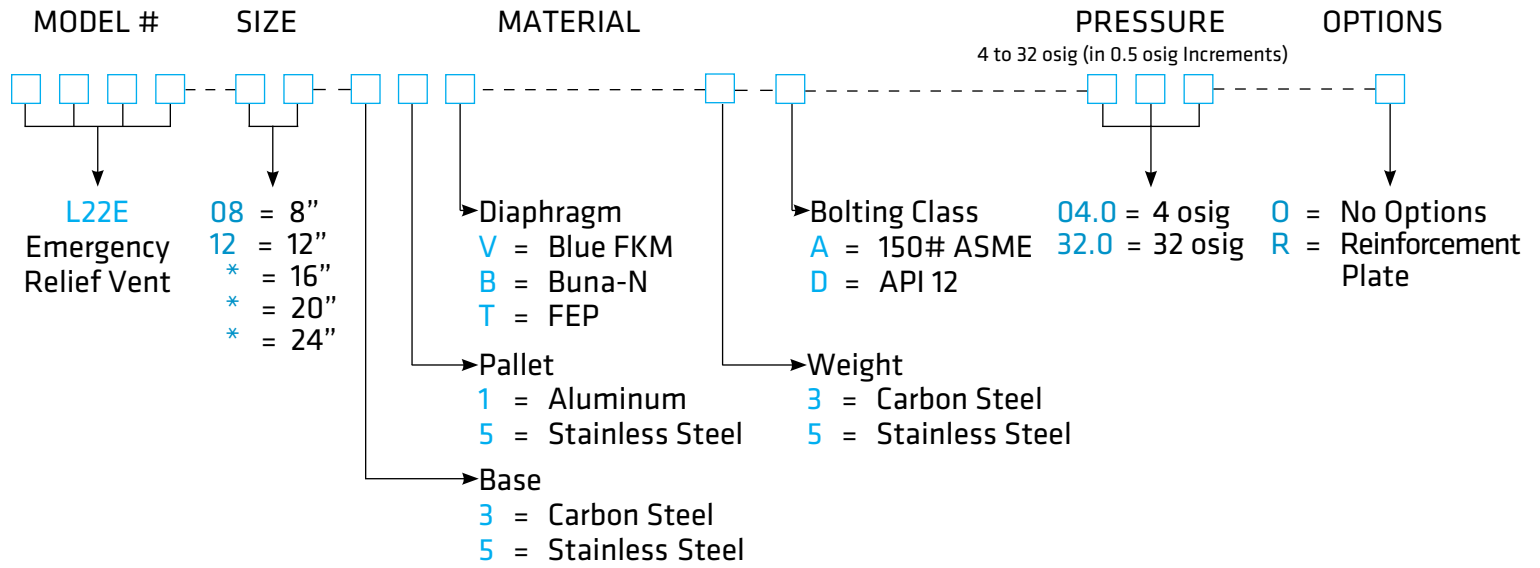
# SPECIFICATIONS

Size In (mm)	A In (mm)	B In (mm)	C In (mm)	D In (mm)
8 (200)	24 (610)	8.04 (204)	5.82 (148)	12.5 (342.9)
12 (300)	28.5 (724)	13.32 (338)	6.81 (173)	19 (482.6)
16 (400)	47 (1194)	20 (508)	14 (356)	27 (686)
20 (500)	57 (1448)	23 (584)	14 (356)	30 (762)
24 (600)	62 (1575)	25 (635)	14.5 (368)	35 (889)



# HOW TO ORDER

For easy ordering, select proper model numbers



## Notes

- \*For sizes 16", 20" or 24", consult factory
- For special options, consult factory

## Example

[ L ] [ 2 ] [ 2 ] [ E ] - [ 0 ] [ 8 ] - [ 3 ] [ 5 ] [ V ] - [ 5 ] - [ A ] - [ 0 ] [ 4 ] [ 0 ] - [ 0 ]

Indicates a 8" Model L22E with Carbon Steel base, Stainless Steel pallet and FKM soft goods, Stainless Steel weight, 150# ASME bolting class, 0.4 osig Pressure Setting and no other options.



[LAMOTVALVEARRESTOR.COM](http://LAMOTVALVEARRESTOR.COM)